

SATE·LITE
Safety at the Speed of Light



Advanced Optical&Reflector Technology

USB RECHARGEABLE BIKE LIGHT

Sate-Lite(Foshan)Plastics Co.,Ltd.

📍 LianFu 4th Road, Fu An Industrial Park, Leliu Town,
Shunde District, Foshan City, Guangdong, China

☎ +86(0)757 2563_1393 / 2533_1588

🌐 www.satelitebikelight.com



ABOUT US

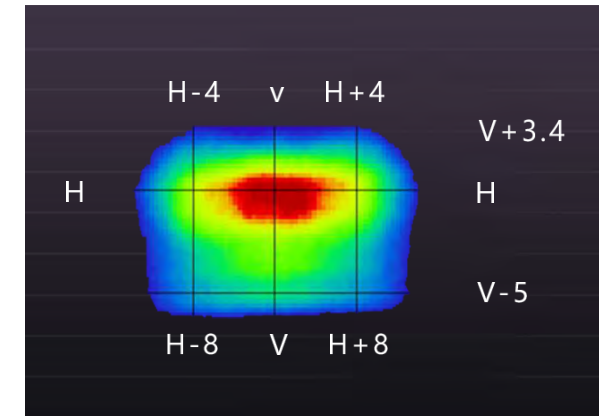
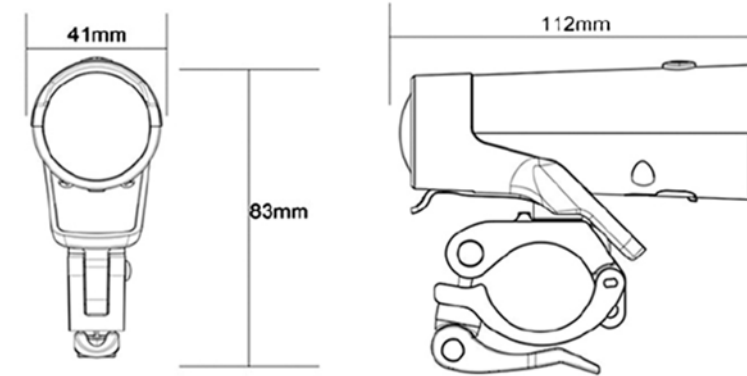
Sate-Lite (Foshan) Plastics Co., Ltd. wholly-owned by Deflect-o LLC from United States, is a leading and safe reflectors , bike reflectors and bike lights. Deflecto-Sate-Lite Group was established in 1960, which headquarters in Indianapolis, Sate-Lite's customers come from North America, Europe, Asia, Australia and other places covering more than 70 countries and regions. We possess an advanced optical product development team and premium optical detection equipments so that we are capable of manufacturing different products conforming to the national safety standards. Meanwhile, customers' needs can be satisfied in different markets.

SATE-LITE LF-01



Product Features

- Germany StVZO approval
- Cree Led with Anti-glare optic design
- Samsung Li-ion battery build-in
- Equip with Aluminum alloy part



Product Specification

Non Germany version

Model Number	LF-01A
Certification	FCC CE ROHS
Lumen	300lumens
Visibility	200m
Side Light	No
Light spot	Large
Run time	4hours(full); 8hours (half); 16hours (low flash); 48hours (blue light)
Function	Full/ half/ blue light/ breath flash
Recharge time	7hours
Battery	Samsung Li-ion Battery 18650
Battery capacity	2600mAh
Anti-glare	Yes
Waterproof	IPX5
Blue light	Yes
Weight	140g
Dimension	112*41*83mm
Low power indicator	Yes
LED Specification	Cree XPG2
Material	ABS, PMMA, Metal

Germany version

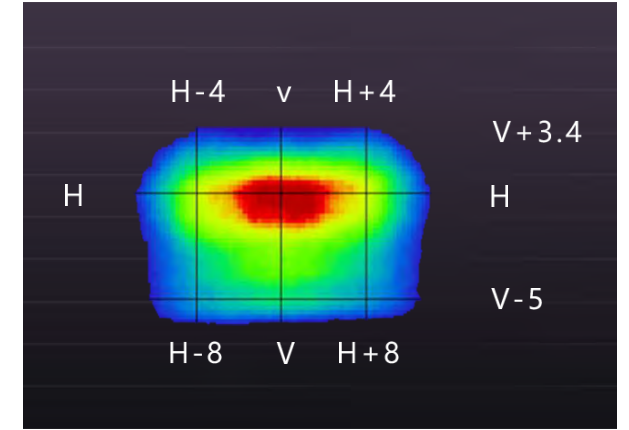
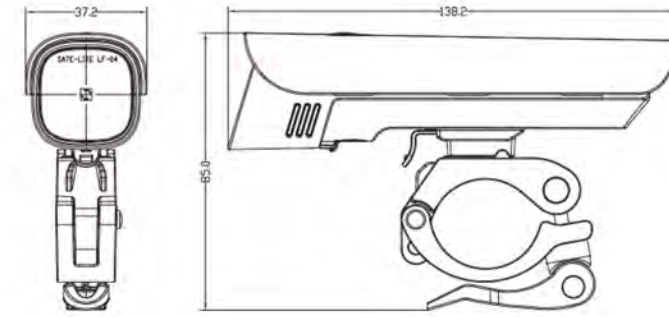
Model Number	LF-01
Certification	StVZO,FCC CE ROHS
Luminous Intensity	50LUX
Visibility	200m
Side Light	No
Light spot	Small
Run time	8hours (full)
Function	ON-OFF
Recharge time	7hours
Battery	Samsung Li-ion Battery 18650
Battery capacity	2600mAh
Anti-glare	Yes
Waterproof	IPX5
Blue light	No
Weight	140g
Dimension	112*41*83mm
Low power indicator	Yes
LED Specification	Cree XP E2
Material	ABS, PMMA, Metal

SATE-LITE LF-04



Product Features

- Germany StVZO approval
- Cree Led with Anti-glare optic design
- Samsung Li-ion battery build-in
- Side lights design



Product Specification

Non Germany version

Model Number	LF-04A
Certification	CE ROHS
Lumen	300lumens
Visibility	200m
Side Light	Yes
Light spot	Large
Run time	6hours (full); 11hours (half); 10hours (low flash); 13hours (SOS)
Function	Full/ half/ breath flash/ SOS
Recharge time	4hours
Battery	Premium Li-ion battery 18650
Battery capacity	2200mAh
Anti-glare	Yes
Waterproof	IPX5
Weight	131g
Dimension	138. 2*37*85mm
Low power indicator	Yes
LED Specification	Cree XPG2
Material	PMMA, Aluminum

Germany version

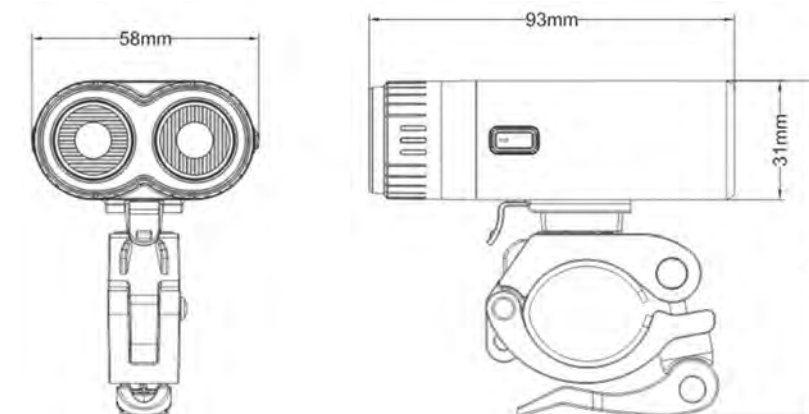
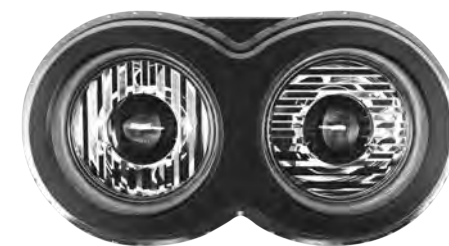
Model Number	LF-04
Certification	StVZO,CE ROHS
Luminous Intensity	40LUX
Visibility	200m
Side Light	Yes
Light spot	Small
Run time	8hours (full)
Function	ON-OFF
Recharge time	7hours
Battery	Samsung Li-ion Battery 18650
Battery capacity	2600mAh
Anti-glare	Yes
Waterproof	IPX5
Weight	131g
Dimension	138. 2*37*85mm
Low power indicator	Yes
LED Specification	Cree XPG2
Material	PMMA, Aluminum

SATE-LITE LF-05



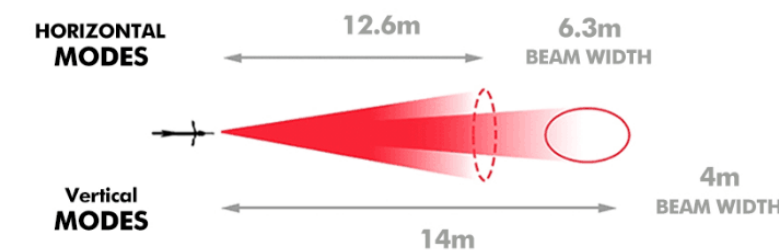
Product Features

- Horizontal/vertical light beam design
- Cree led with anti-glare design
- 3000mAh Li-ion battery
- Side lights design
- Equip with Aluminum alloy part



Product Specification (Non Germany Version)

Model Number	LF-05A
Certification	FCC CE ROHS
Lumen	500lumens
Visibility	200m
Side Light	Yes
Light spot	Horizontal/Vertical/Cross light beam
Run time	3.5hours(full); 7hours (half); 16hours (low flash)
Function	Left light/right light/corss light/breath flash
Recharge time	7.5hours
Battery	Li-ion rechargeable battery
Battery capacity	3000mAh
Anti-glare	Yes
Waterproof	IPX5
Weight	168.5g
Dimension	93*58*77mm
Low power indicator	Yes
LED Specification	Cree XP E2
Material	ABS, PMMA, Metal

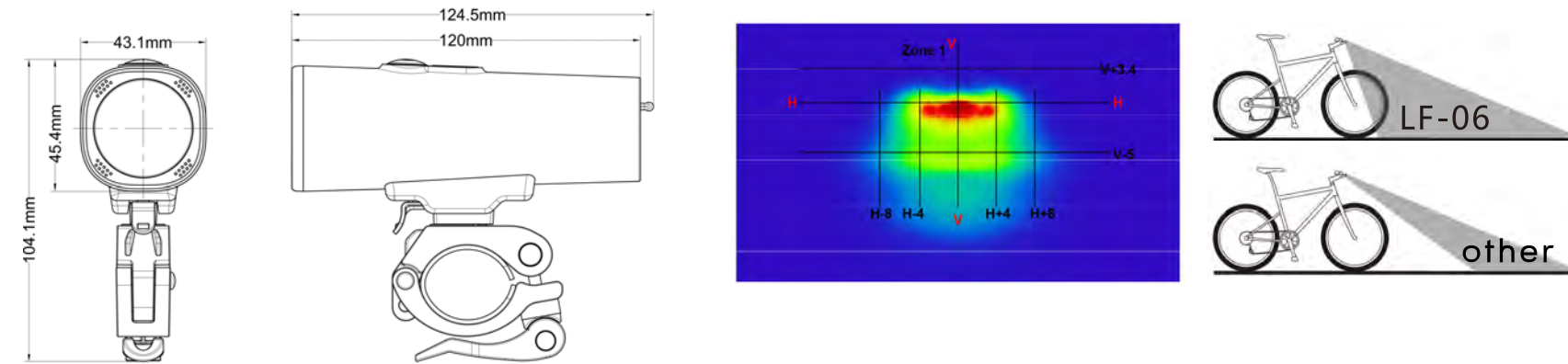


SATE-LITE LF-06



Product Features

- Germany StVZO approval
- Close range zone optical design
- Four stage power indicator
- Build-in metal bracket for better heat dissipation
- Lighting modes memory



Product Specification

Non Germany version

Model Number	LF-06A
Certification	CE, ROHS, FCC
Lumen	500lumen
Visibility	200m
Light spot	Wider beam-light stretches out even to front wheel
Run time	2.5hours (full); 3.5hours (half); 6.5hours (low); 13.5hours (low flash);6.5hours (fast flash)
Recharge time	3.5hours
Function	Full/ half/ low/ flash/ slow flash
Battery	Premium Li-ion Battery 18650
Battery capacity	2600mAh
Anti-glare	Yes
Waterproof	IPX5
Weight	160g
Dimension	124*43*104mm
Low power indicator	Yes
LED Specification	Cree XQ-E
Material	ABS, PMMA

Germany version

Model Number	LF-06
Certification	StVZO, CE, ROHS, FCC
Luminous Intensity	60Lux
Visibility	200m
Light spot	Wider beam-light stretches out even to front wheel
Run time	5.5hours (full); 8.5hours (half)
Function	Full/ half
Recharge time	3.5hours
Battery	Premium Li-ion Battery 18650
Battery capacity	2600mAh
Anti-glare	Yes
Waterproof	IPX5
Weight	160g
Dimension	124*43*104mm
Low power indicator	Yes
LED Specification	Orsam LUW CEUP CE
Material	ABS, PMMA

SATE-LITE LF-07



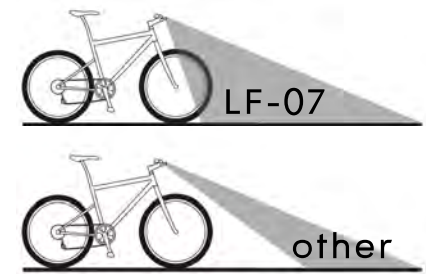
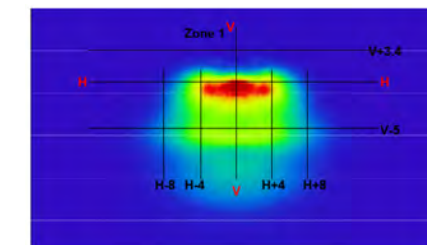
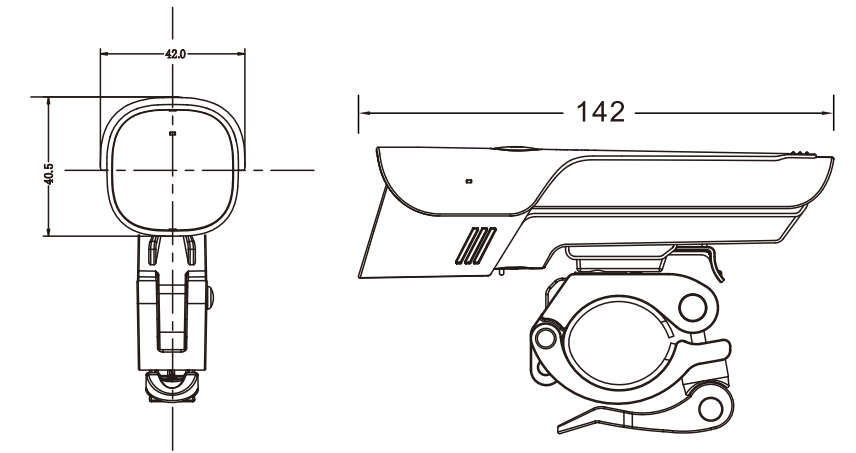
Product Features

- Close range zone optical design
- Four stage power indicator
- Side lights design
- Lighting modes memory



Product Specification (Non Germany Version)

Model Number	LF-07A
Certification	CE, ROHS, FCC
Lumen	500lumen
Visibility	200m
Side Light	Yes
Light spot	Wider beam-light stretches out even to front wheel
Run time	2.5hours (full); 3.5hours (half); 6.5hours (low); 13.5hours (low flash);6.5hours (fast flash)
Function	Full/ half/ low/ flash/ slow flash
Recharge time	3.5hours
Battery	Premium Li-ion Battery 18650
Battery capacity	2600mAh
Anti-glare	Yes
Waterproof	IPX5
Weight	186g
Dimension	142*42*40.5mm
Low power indicator	Yes
LED Specification	Cree XD16
Material	ABS, PMMA,Aluminmu

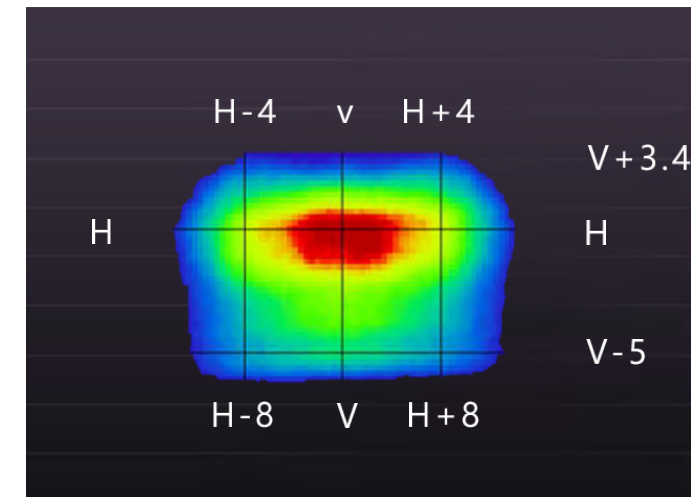
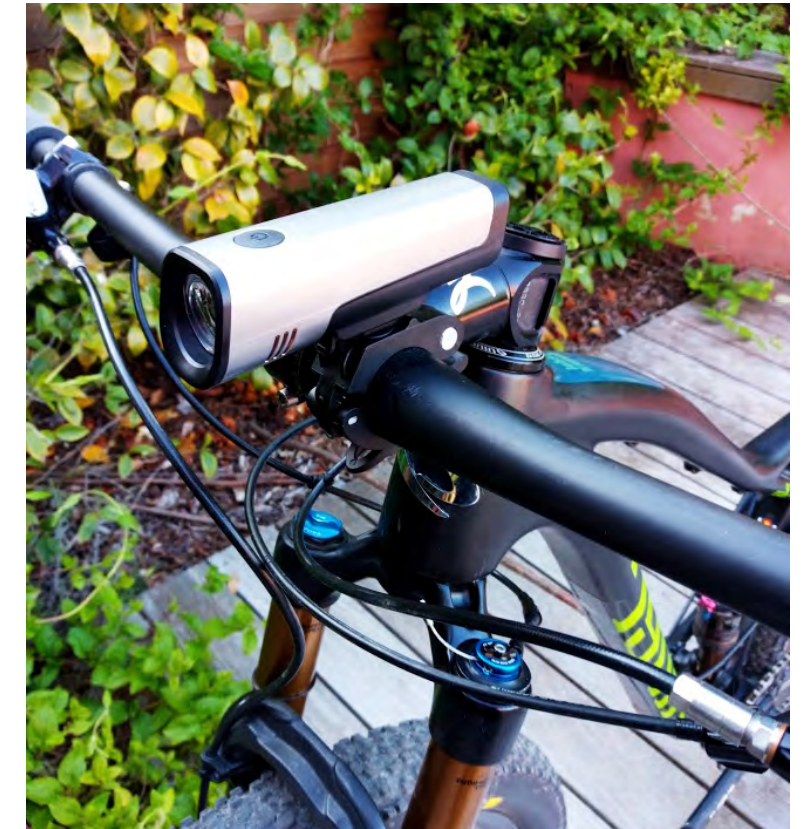


SATE-LITE LF-08



User-friendly ON-off Button Design

Ergonomic design, easy to reach out and switch even wearing gloves



Optical Anti-glare Design

With clear cut-off line on the light beam, so it doesn't blind oncoming riders, increasingly ensure the safety of your cycling.



Waterproof Rating IPX-5

Highly resistant to bad weather at any time. Keep working normally

LOW POWER INDICATOR

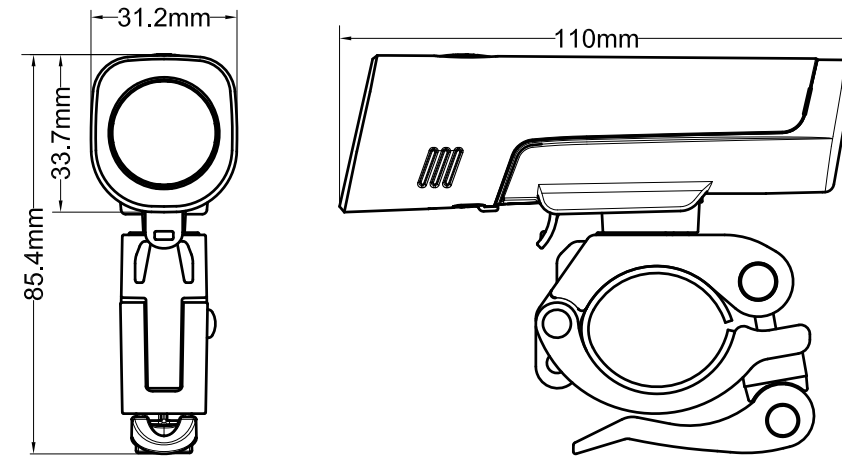
When the power remaining 20% ON/OFF button will light up red light.
Kindly remind you of recharging in time.





Ultra – compact design

It is very convenient for you to bring it anywhere when you use it as a torch



Product Specification

Non Germany version

Model Number	LF-08A
Certification	CE ROHS
Lumen	300lumens
Visibility	200m
Side Light	Yes
Light spot	Large
Run time	6hours (full); 11hours (half); 10hours (flash); 13hours (SOS)
Function	Full/ Half/ Flash/ SOS
Recharge time	6hours
Battery	Premium Li-ion Battery 18650
Battery capacity	2200mAh
Anti-glare	Yes
Waterproof	IPX5
Weight	103g
Dimension	110*31. 2*85. 4mm
Low power indicator	Yes
LED Specification	Cree XPG2
Material	ABS,PMMA, Aluminum

Germany version

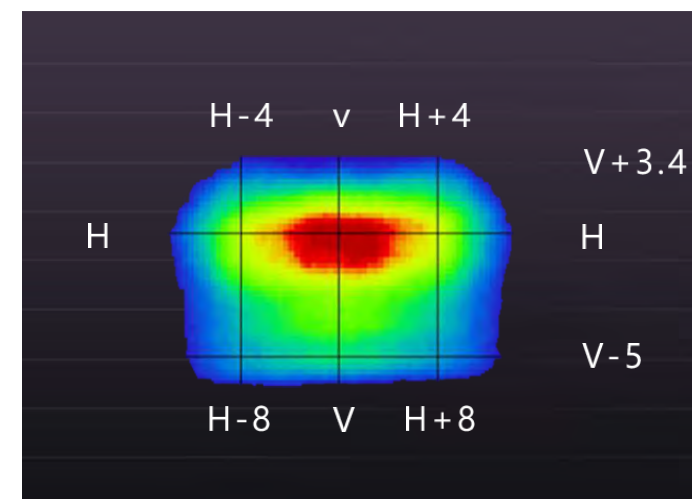
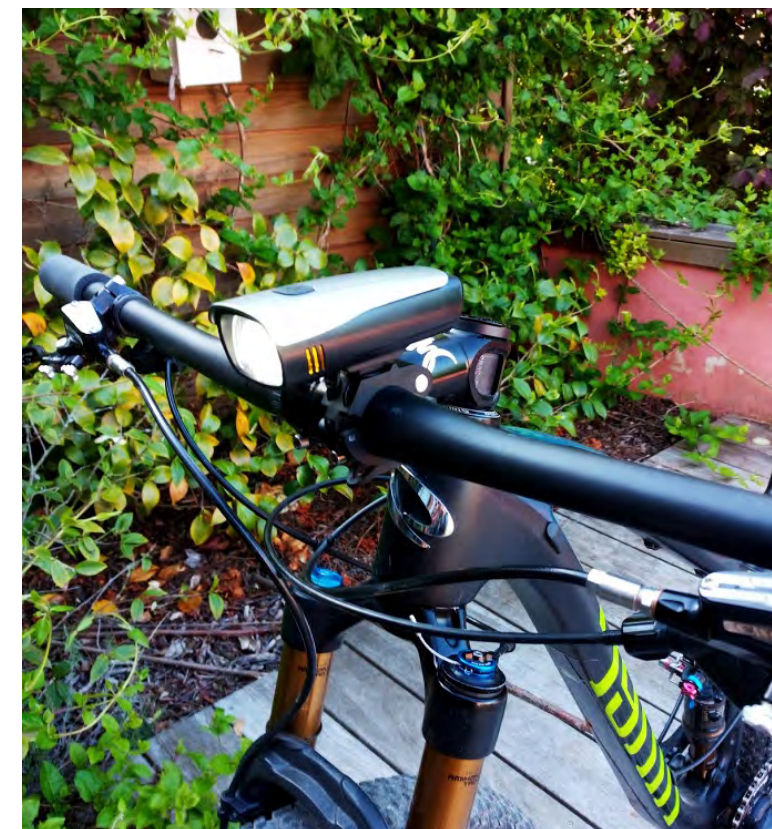
Model Number	LF-08
Certification	StVZO,CE ROHS
Luminous Intensity	40LUX
Visibility	200m
Side Light	Yes
Light spot	Small
Run time	7hours
Function	ON-OFF
Recharge time	7hours
Battery	Samsung Li-ion Battery 18650
Battery capacity	2600mAh
Anti-glare	Yes
Waterproof	IPX5
Weight	103g
Dimension	110*31. 2*85. 4mm
Low power indicator	Yes
LED Specification	Cree XPG2
Material	ABS,PMMA, Aluminum

SATE-LITE LF-10



User-Friendly ON-Off Button Design

Ergonomic design, easy to reach out and switch even wearing gloves



Optical Anti-Glare Design

With clear cut-off line on the light beam, so it doesn't blind oncoming riders, increasingly ensure the safety of your cycling.



Waterproof Rating IPX-5

Highly resistant to bad weather at any time. Keep working normally

Low Power Indicator

When the power remaining 20% ON/OFF button will light up red light. Kindly remind you of recharging in time.



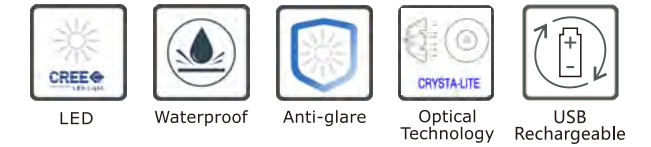
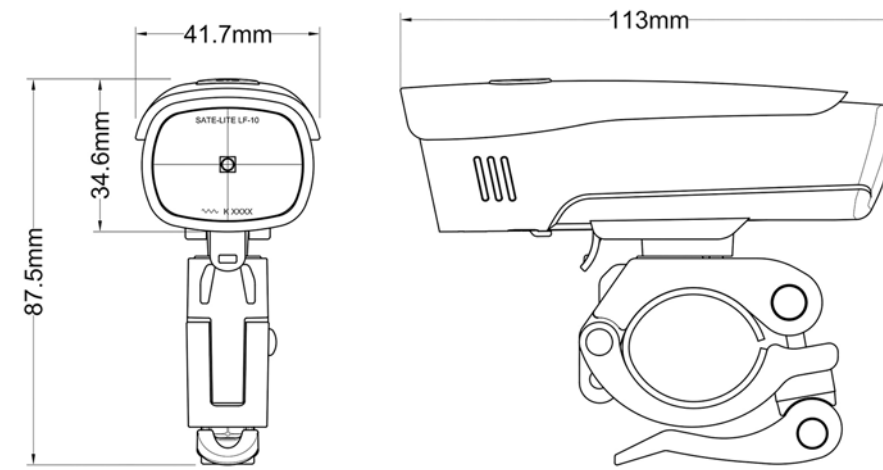
The Side Windows With Yellow Light

The design of side windows is not just a decoration. Which make you be seen easily by around motorist. Greatly improve your safety.



Ultra – Compact Design

It is very convenient for you to bring it anywhere when you use it as a torch



Product Specification

Non Germany version

Model Number	LF-10A
Certification	CE ROHS
Lumen	300lumens
Visibility	200m
Side Light	Yes
Light spot	Large
Run time	6hours (full); 11hours (half); 10hours (flash); 13hours (SOS)
Function	Full/ Half/ Flash/ SOS
Recharge time	6hours
Battery	Premium Li-ion Battery 18650
Battery capacity	2200mAh
Anti-glare	Yes
Waterproof	IPX5
Weight	103g
Dimension	113*41.7*87.5mm
Low power indicator	Yes
LED Specification	Cree XPG2
Material	ABS,PMMA, Aluminum

Germany version

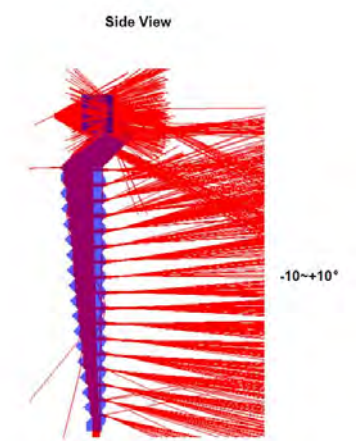
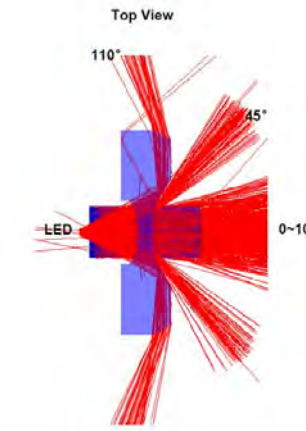
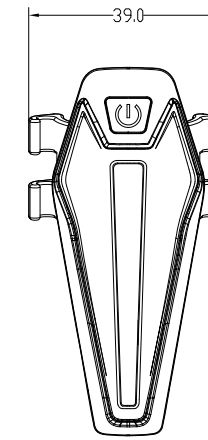
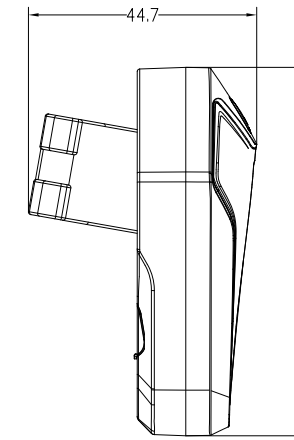
Model Number	LF-10
Certification	StVZO,CE ROHS
Luminous Intensity	40LUX
Visibility	200m
Side Light	Yes
Light spot	Small
Run time	7hours
Function	ON-OFF
Recharge time	7hours
Battery	Samsung Li-ion Battery 18650
Battery capacity	2600mAh
Anti-glare	Yes
Waterproof	IPX5
Weight	103g
Dimension	110*33.7*87.5mm
Low power indicator	Yes
LED Specification	Cree XPG2
Material	ABS,PMMA, Aluminum

SATE-LITE LR-01



Product Features

- Germany StVZO approval
- Cree led and Line light optical design
- The Bi-color injection design
- 220 degree visibility
- Low power indicator



Product Specification (Non Germany Version)

Model Number	LR-01
Certification	CE ROHS
Lumen	10lumen
Visual Angle	220°
Run time	3.5hours(full); 6.5hours (breath flash)
Function	Full/ breath flash
Recharge time	2hours
Battery	Premium Li-ion Battery
Battery capacity	180mAh
Waterproof	IPX5
Weight	31g
Dimension	72.1*39*44.7 mm
Low power indicator	Yes
LED Specification	CREE LED
Material	ABS

Product Specification (Germany Version)

Model Number	LR-01D
Certification	StVZO , CE, ROHS
Lumen	10lumen
Visual Angle	220°
Run time	3.5hours(full)
Function	ON-OFF
Recharge time	2hours
Battery	Premium Li-ion Battery
Battery capacity	180mAh
Waterproof	IPX5
Weight	31g
Dimension	72.1*39*44.7 mm
Low power indicator	Yes
LED Specification	CREE LED
Material	ABS

SATE-LITE LR-02



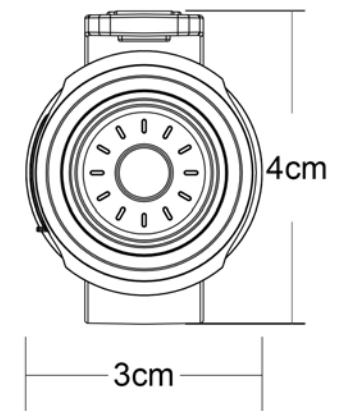
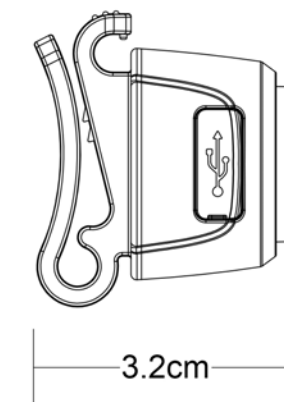
Product Features

- Easy touch switch
- Multiple mount design
- Ultra-compact design



Product Specification (Non Germany Version)

Model Number	LR-02
Certification	CE ROHS
Lumen	8lumen
Visual Angle	180°
Run time	3.5hours(full); 6hours (breath flash);5hours (fast flash)
Function	Full/ breath flash/ fast flash
Recharge time	1.5hours
Battery	LIR 2050
Battery capacity	80mAh
Waterproof	IPX4
Weight	23g
Dimension	30*40*32mm
Low power indicator	Yes
LED Specification	CREE LED
Material	PMMA, PS



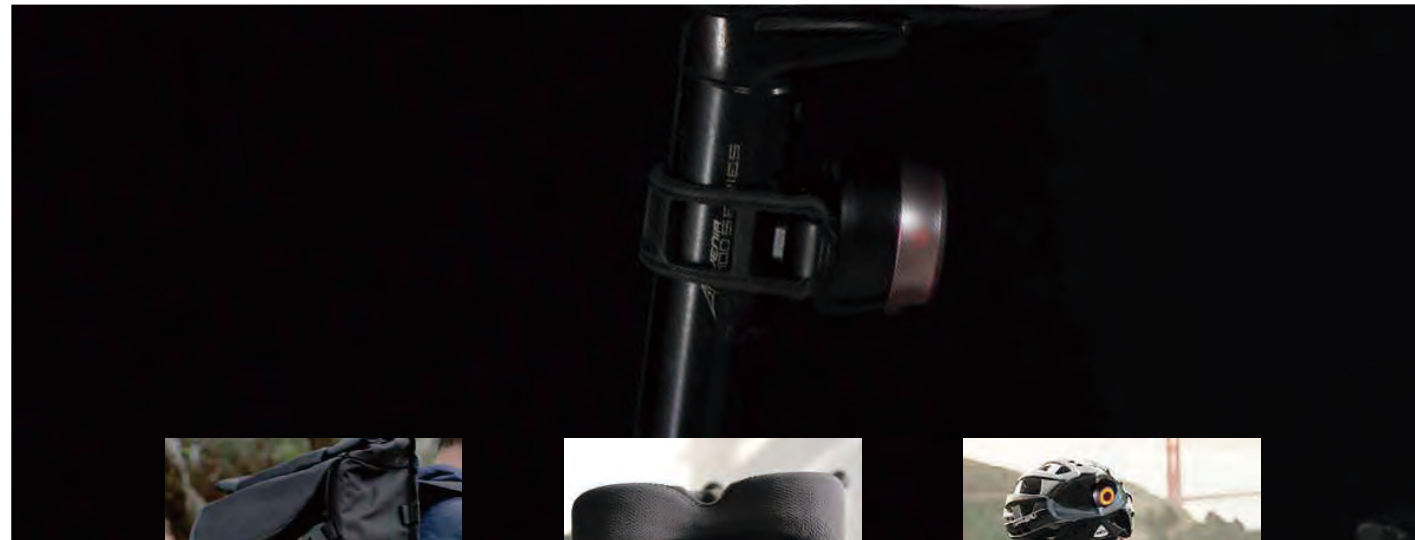
SATE-LITE LR-03

Innovative Optic Lens Design

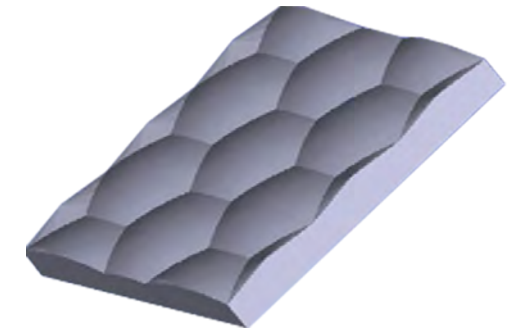
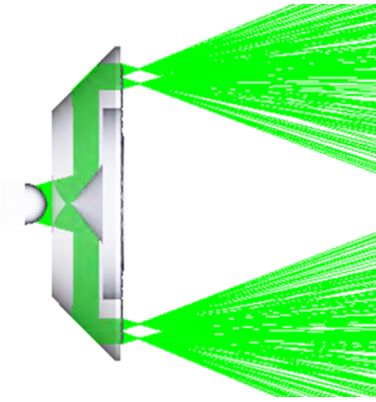




MULTI-MOUNT DESIGN



COMPOUND EYE LENS

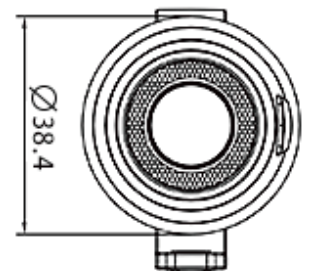
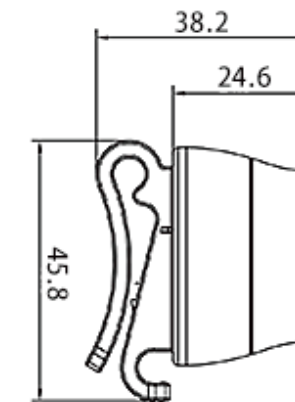


USB RECHARGEABLE DESIGN



SPECIFICATION

USA Version
 Battery: LIR2050
 Battery capacity: 80mAh
 Run time: Full: 3.5 hrs
 Half: 6 hrs
 Flash: 6 hrs
 SOS: 5 hrs
 Function: Full/Half/Flash/SOS
 LED Specification: CLM2B
 Material: PMMA, PS
 Waterproof: IPX5
 Size: 45.8*38.2*24.6



SATE-LITE LF-11

Sleek and Compact Design



Power Level Indicator



Battery Remaining < 20%



20% < Battery Remaining < 50%



50% < Battery Remaining < 100%



Ultra-compact and Portable Design
Keep Running with You Anywhere



Fit for All Bikes-Handlebar Size Range From 22mm to 32mm



3 Positions



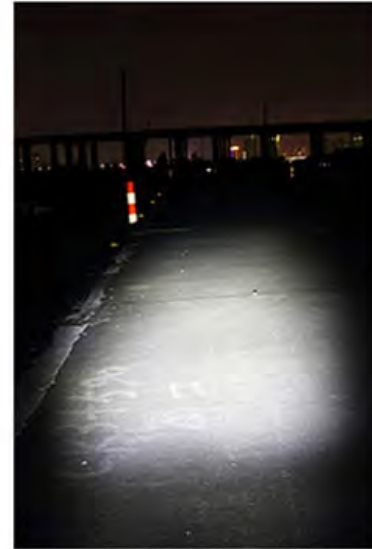
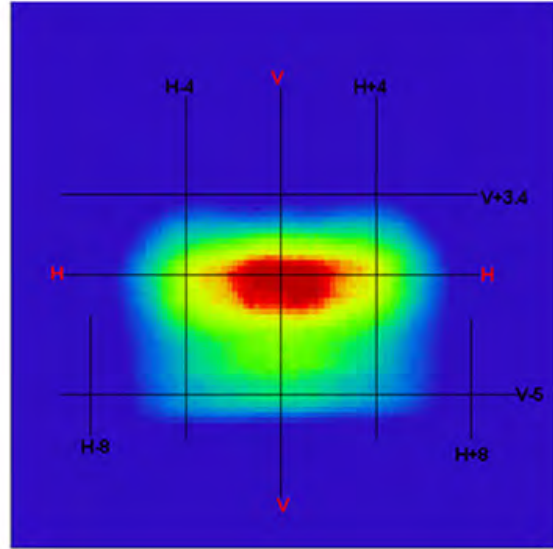
3 Positions



Side Light
To be seen

Anti-glare Optical Design

With Clear Cut-off Line of Light Beam, So It Doesn't Blind Oncoming Riders, Increasingly Ensure the Safety of Your Cycling



Waterproof

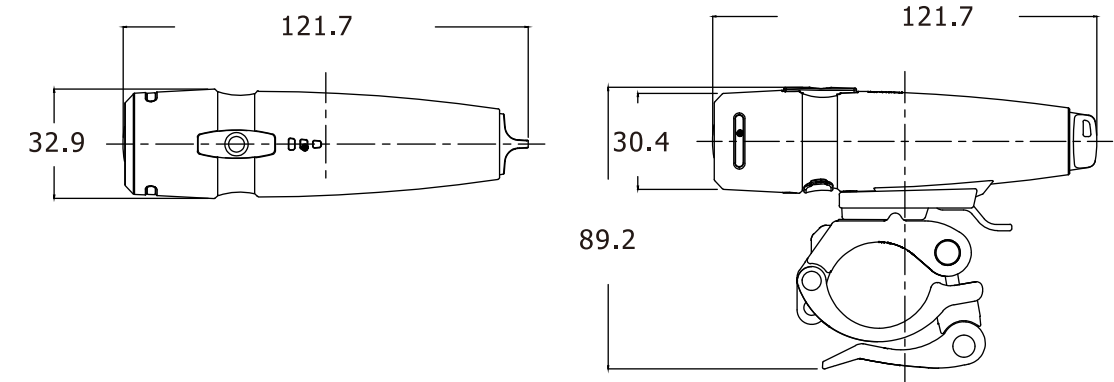
IPX5

Powered By Premium CREE LED



USA Version

- Battery: Premium Li-ion Battery
- Function: Full / Half / flash / SOS
- Run time: Full: 6 hrs
 - Half: 11 hrs
 - Flash: 10 hrs
 - SOS: 13 hrs
- Recharge time: 6 hrs
- LED Specification: CREE XPC
- Battery capacity: 2200mAh
- Size: 121.7x32.9x89.2mm
- Net weight: 121g (including battery)
- Material: ABS, PMMA, Aluminum
- Anti-glare: Yes
- Voltage: 3.7V



SATE-LITE S601

NEW



USB Rechargeable Battery



● Red Light: Low Power / Charging

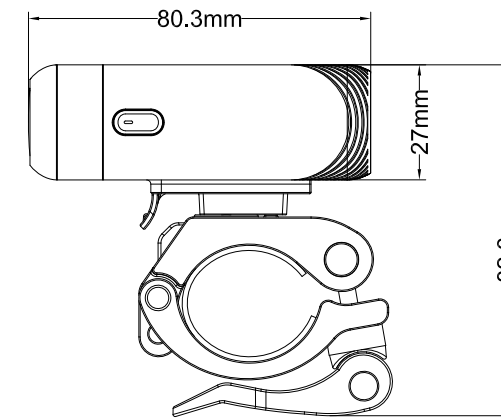
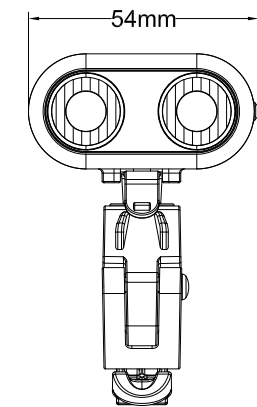
● Green Light: Charge Complete







Sleek/Ultra-compact Design



Waterproof
IPX5

USA Version

- Mode: S601
- Material: PMMA, Aluminum alloy
- Waterproof: IPX5
- Anti-glare: YES
- Dimension: 80.3*54*82.3mm
- Weight: 124g
- LED Specification: CREE XPE2
- Run time: 3 hrs
- Recharge time: 3.5 hrs
- Battery: Li-ion rechargeable battery (3.6V-3000mAh)

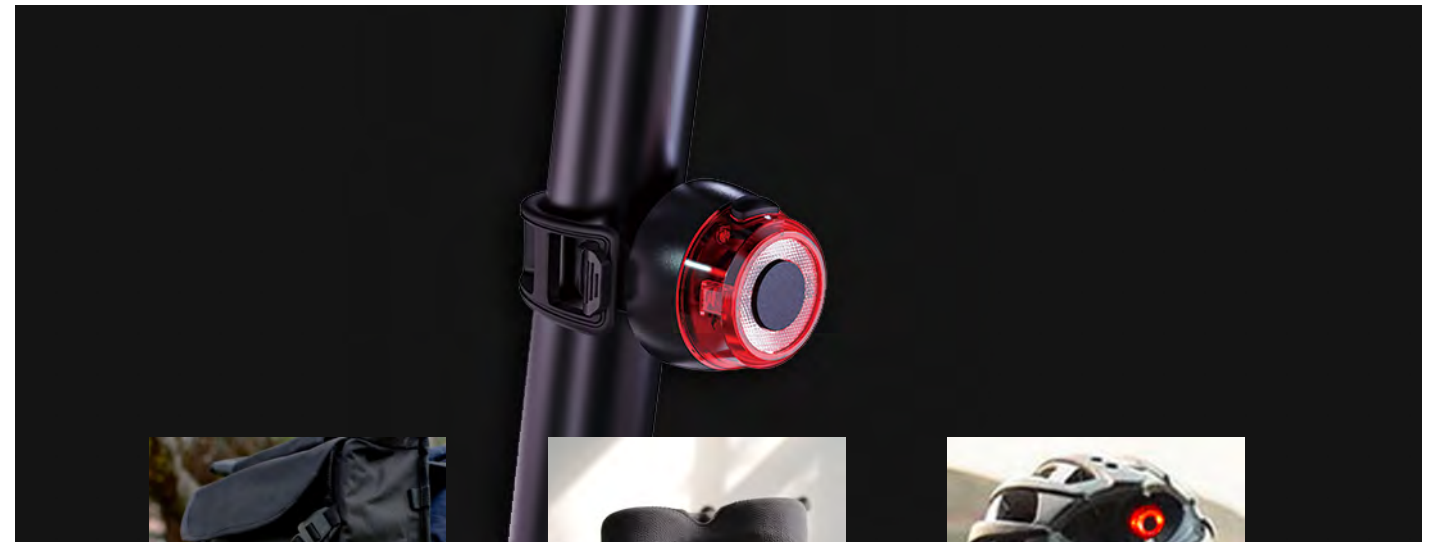
SATE-LITE LR-03K

Innovative Optic Lens Design

NEW



Multi-mount Design



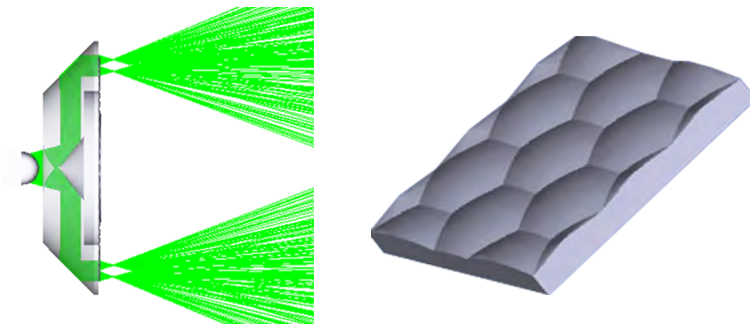
Side Light



220 Degree
Visibility



Compound Eye Lens

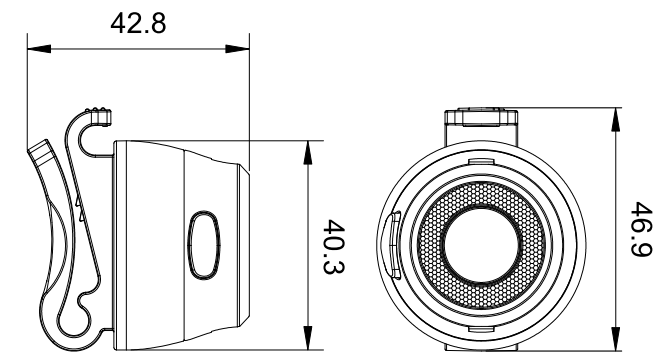


Waterproof
Rating
IPX-5

Specification

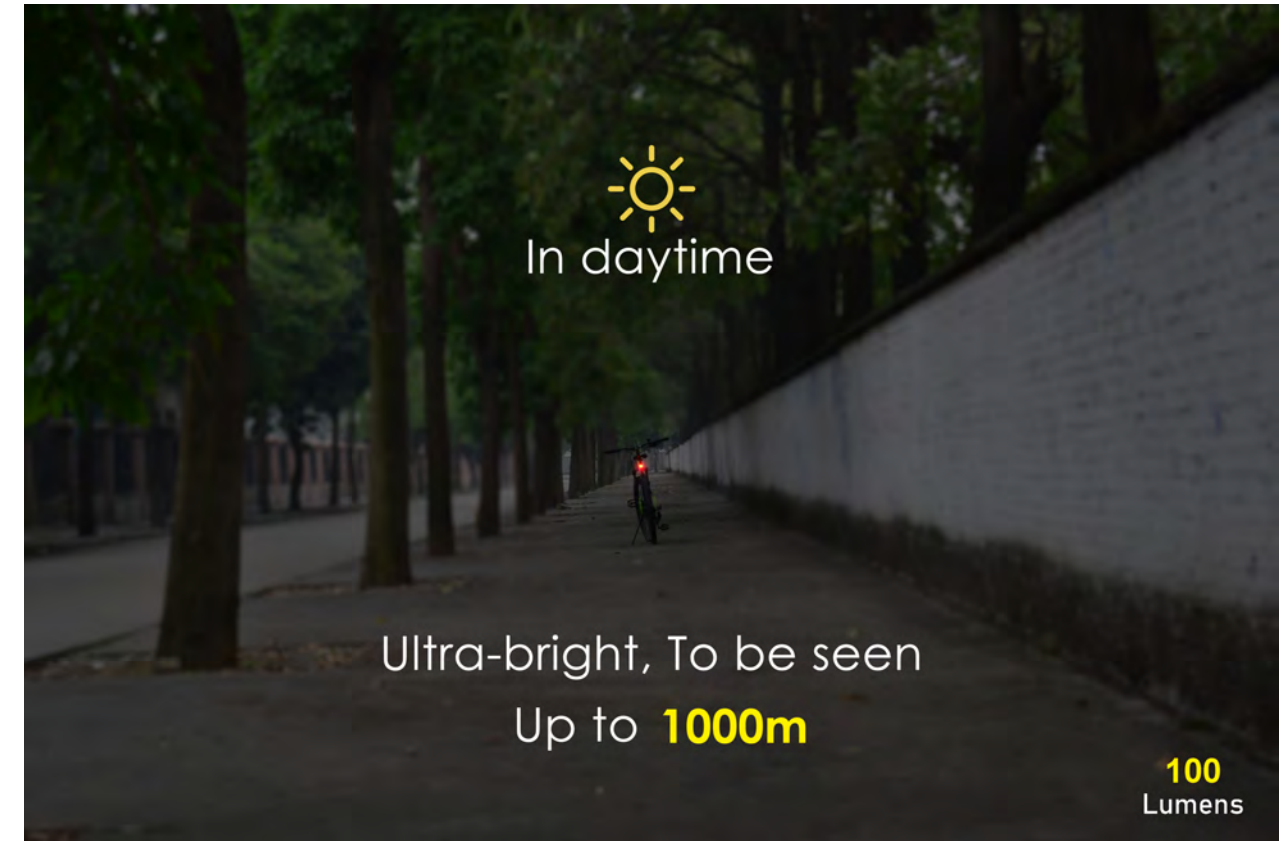
German Version

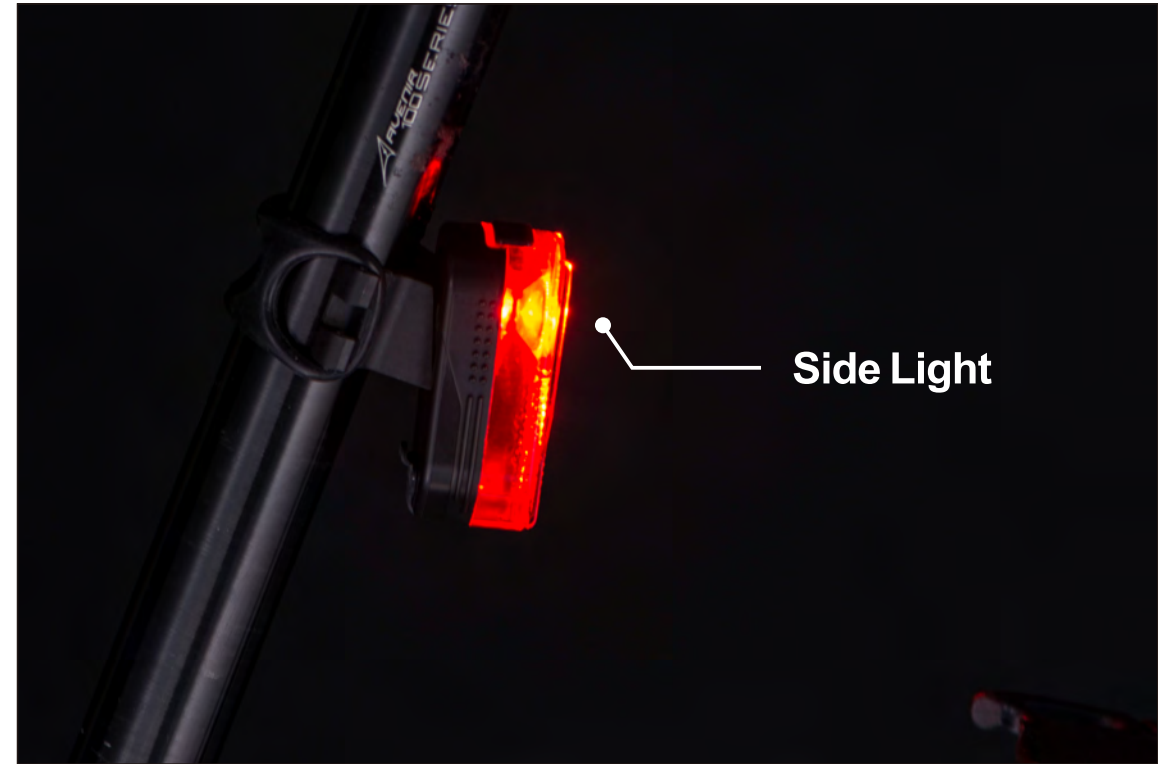
Battery: LIR2025
Battery capacity: 200mAh
Run time: 4 hrs
Recharge time: 2 hrs
Function: ON- OFF
LED Specification: CLM2B
Material: PMMA, PS
Size: 42.8*40.3*46.9
Weight: 40g
Voltage: 3.7V
Waterproof: IPX5



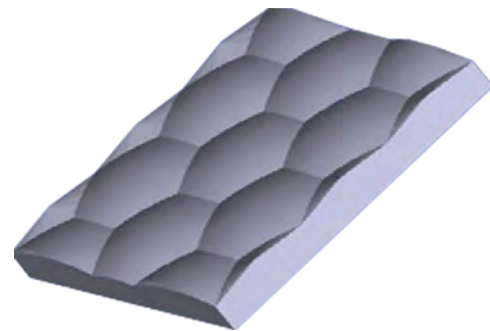
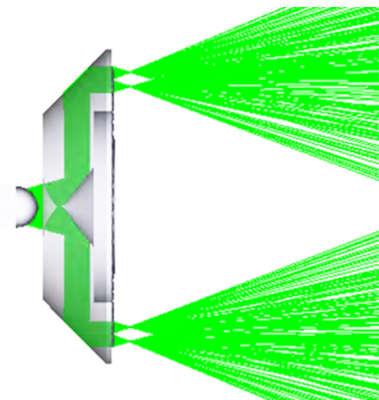
SATE-LITE LR-05

Ultra-bright 100Lumens



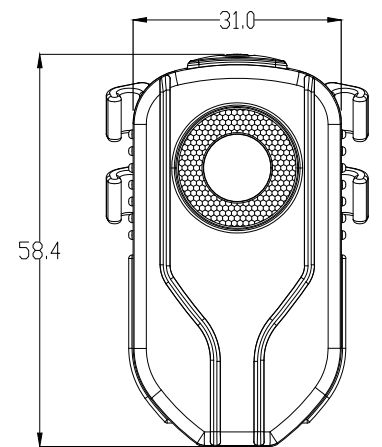
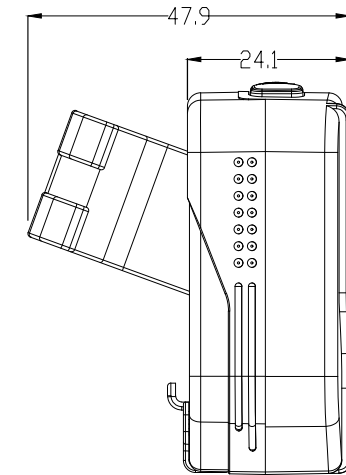


Compound Eye Lens



USA Version

- Battery: JK702535
- Battery capacity:600mAh
- Run time: Full: 3hrs
Low: 14.8hrs
- Recharge time: 4 hrs
- Function: High / Low / Flash
- Waterproof: IPX5
- Lumen: 100Lumens
- LED Specification: Cree Led
- Material: PMMA,ABS,Nylon
- Size:58.4*31.0*47.9MM
- Weight:36g
- Voltage:3.7V



CUTTING-EDGE OPTICAL COMPONENTS



DESIGNED BY SATE-LITE



WATERPROOF TESTING

